

300SA - Surge arrester for 430TB/G, EPDM

300SA - Surge arrester for 430TB/G, EPDM, up to 36 kV - 630 A/1250 A

Description

Application

Surge arrester designed to protect 12, 24 and 36 kV class components, including transformers, equipment, cable and accessories from high voltage surges resulting from lightning or switching. It has been designed to be used with the 430TB/G separable tee connector.

Technical characteristics

- This surge arrester is a metal oxide varistor surge arrester that may only be used in combination with a 430TB/G compact tee or a 300PB/G coupling connector.
- Each arrester is tested for AC withstand, partial discharge and critical voltage prior to leaving the factory.

Specifications and standards

The 300SA surge arresters meet the test requirements of IEC 60099-4 (VDE 0675-4). ATEX version can be delivered on request.

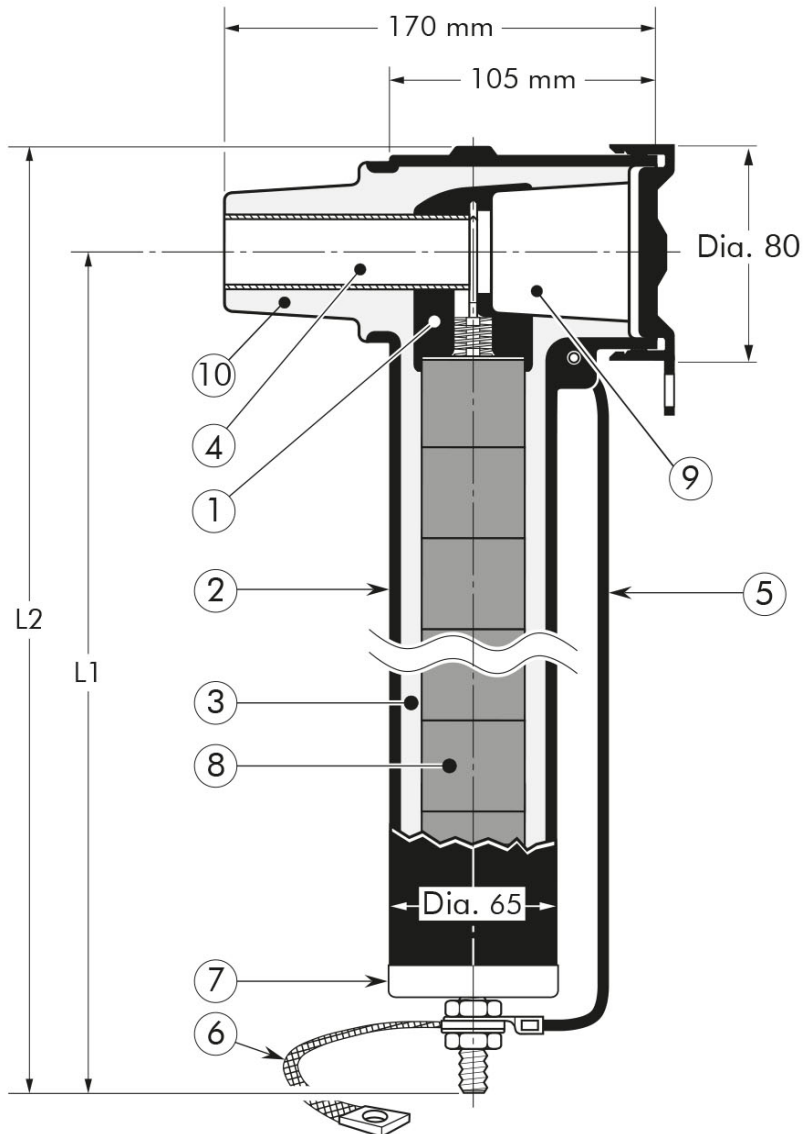


Standards

International IEC 60099-4

300SA - Surge arrester for 430TB/G, EPDM

Design



1. Conductive EPDM insert
2. Conductive EPDM jacket
3. Insulating EPDM layer moulded between the insert and the jacket
4. Receptacle for contact rod
5. Earth lead
6. Earth connection
7. Steel cap

300SA - Surge arrester for 430TB/G, EPDM

8. Metal oxide valve elements
9. Basic insulating plug
10. Interface designed to fit the 430TB/G tee connector.

Ordering instructions

Indicate the Type of surge arrester when ordering (see table). The part numbers each apply to one kit consisting of three surge arresters.

Surge arrester type	Nominal discharge current I_n (kA)	Rated voltage* U_r (kV)	Max. continuous operating voltage U_c (kV)	High current impulse withstand (kA)	Dimensions (mm)		Ordering part number
					L1	L2	
300SA-5-6N	5	6	4.8	65	250	290	85746
300SA-5-9N	5	9	7.2	65	250	290	85748
300SA-5-12N	5	12	9.6	65	250	290	85750
300SA-5-15N	5	15	12.0	65	250	290	85752
300SA-5-18N	5	18	14.4	65	250	290	85754
300SA-5-22N	5	22	17.6	65	250	290	On request
300SA-5-24N	5	24	19.2	65	350	390	85756
300SA-5-30N	5	30	24.0	65	350	390	85701
300SA-5-33N	5	33	26.4	65	350	390	On request
300SA-5-36N	5	36	28.8	65	350	390	85758
300SA-5-42N	5	42	33.6	65	450	490	85760
300SA-5-45N	5	45	36.0	65	450	490	85762

Surge arrester type	Nominal discharge current I_n (kA)	Rated voltage* U_r (kV)	Max. continuous operating voltage U_c (kV)	High current impulse withstand (kA)	Dimensions (mm)		Ordering part number
					L1	L2	
300SA-10-6N	10	6	4.8	100	250	290	85765
300SA-10-9N	10	9	7.2	100	250	290	77812
300SA-10-12N	10	12	9.6	100	250	290	77814
300SA-10-15N	10	15	12.0	100	250	290	77642
300SA-10-18N	10	18	14.4	100	250	290	77655
300SA-10-22N	10	22	17.6	100	250	290	77656
300SA-10-24N	10	24	19.2	100	350	390	77657
300SA-10-30N	10	30	24.0	100	350	390	77658
300SA-10-33N	10	33	26.4	100	350	390	85728
300SA-10-36N	10	36	28.8	100	350	390	79976
300SA-10-42N	10	42	33.6	100	450	490	85767
300SA-10-45N	10	45	36.0	100	450	490	79978

* Surge arresters for other rated voltages are available on request

Order example

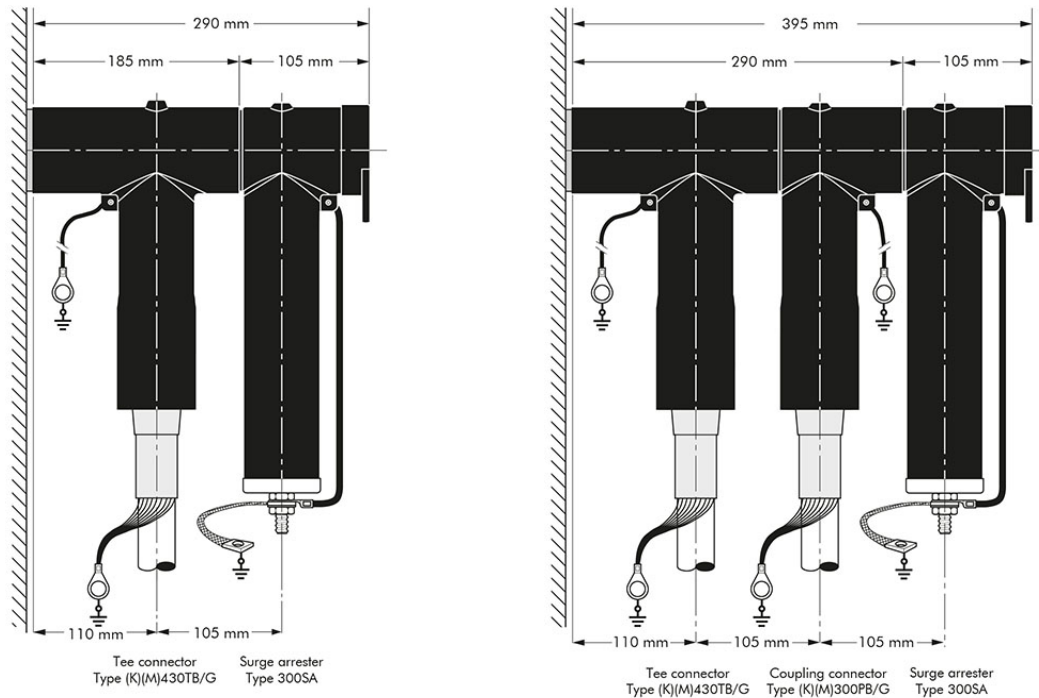
For a max. operating voltage of 24 kV and a nominal discharge current of 10 kA, order according to the table: Surge arrester type 300SA-10-30N with part number 77658.

Note

The order information only applies to the use in compensated, high-impedance and insulated networks.

300SA - Surge arrester for 430TB/G, EPDM

Typical application and dimensions



Technical instructions and application information (accessories)

The data given were determined diligently, but do not release our customers of the duty to carry out tests themselves in order to check the suitability of the products delivered by us for the intended use. We reserve the right to modify characteristic and performance data according to the present state of technology. Processing and use of the products cannot be controlled by us and are therefore exclusively in your field of responsibility.

Our products meet the VDE standards respectively correspond to DIN pages and IEC recommendations.

Attention: Before first design in please contact manufacturer.

The products, described in this catalogue, are designed for connection of energy cable conductors (Class 1 & 2) with description of round solid (RE), round stranded (RM), as well as sector solid (SE), sector stranded (SM) and round stranded compacted (RMV) exclusively on bare conductors. All conductor filling materials like tapes/yarn/powder or similar need to be completely removed before mounting. A check on basis of the actual existing conductor dimensions by the user is indispensable. This applies also for the application of flexible conductors (Class 5 & 6).

Impact wrenches have to be approved by Nexans! Depending on different conductor material or conductor type, indicated values may differ from test values acc. to IEC 61238-1. The use of fine stranded conductors has to be approved by Nexans Power Accessories Germany GmbH.

Our responsibilities are only those listed in the latest edition of "General Terms and Conditions for the Supply of Products and Services of the Electrical and Electronics Industry". If requested we provide a copy.

300SA - Surge arrester for 430TB/G, EPDM

Our products are mainly delivered in cartons. We only use package materials able to be recycled due to the latest packing system. Collapsible cardboard boxes are not taken back. Please try to order complete standard packages.

Reprinting, even partial, only with special allowance. We reserve the right to alter or modify the characteristics described. Illustrations and drawings may only show a close reflection and are not decisive. The weights are approximate and include the carton package. This catalogue substitutes all former editions. Types or versions not part of the catalogue you receive on request.

08/18/2015