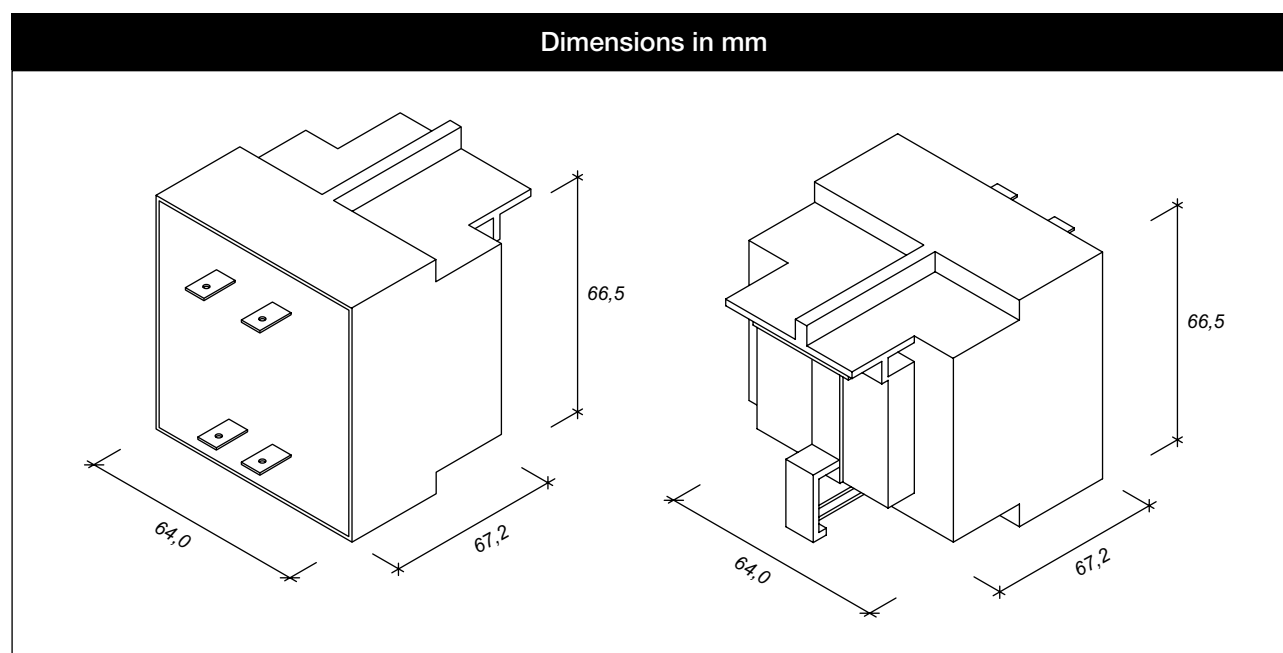


TYPE: **EI60/30,5-ZA LMF**

NOMINAL POWER: **30 VA**

- According to EN 61558-2-6
- Two compartments bobbins
- Faston connectors
- For mounting rail (DIN 50022)
- Insulation class T 40/B
- Insulation voltage 4 kV
- Potted under vacuum
- 100 % tested production
- Weight 560 g



**Options:**

- 1.) Addition of a thermal fuse (non-resettable)
- 2.) Addition of a resettable thermal protection

Art. number	Primary voltage V	Secondary voltage V	Secondary current mA	No load voltage V	Secondary protection mA
332814	230	6	5000	7,6	5
332815	230	9	3333	11,5	3,15
332816	230	12	2500	15,4	2,5
332817	230	15	2000	19,2	2
332818	230	18	1666	23,0	1,6
332819	230	24	1250	30,7	1,25
332820	230	2 x 6	2 x 2500	2 x 7,6	2 x 2,5
332821	230	2 x 9	2 x 1666	2 x 11,5	2 x 1,6
332822	230	2 x 12	2 x 1250	2 x 15,4	2 x 1,25
332823	230	2 x 15	2 x 1000	2 x 19,2	2 x 1
332824	230	2 x 18	2 x 833	2 x 23,0	2 x 0,8

Specifications subject to change without notice.