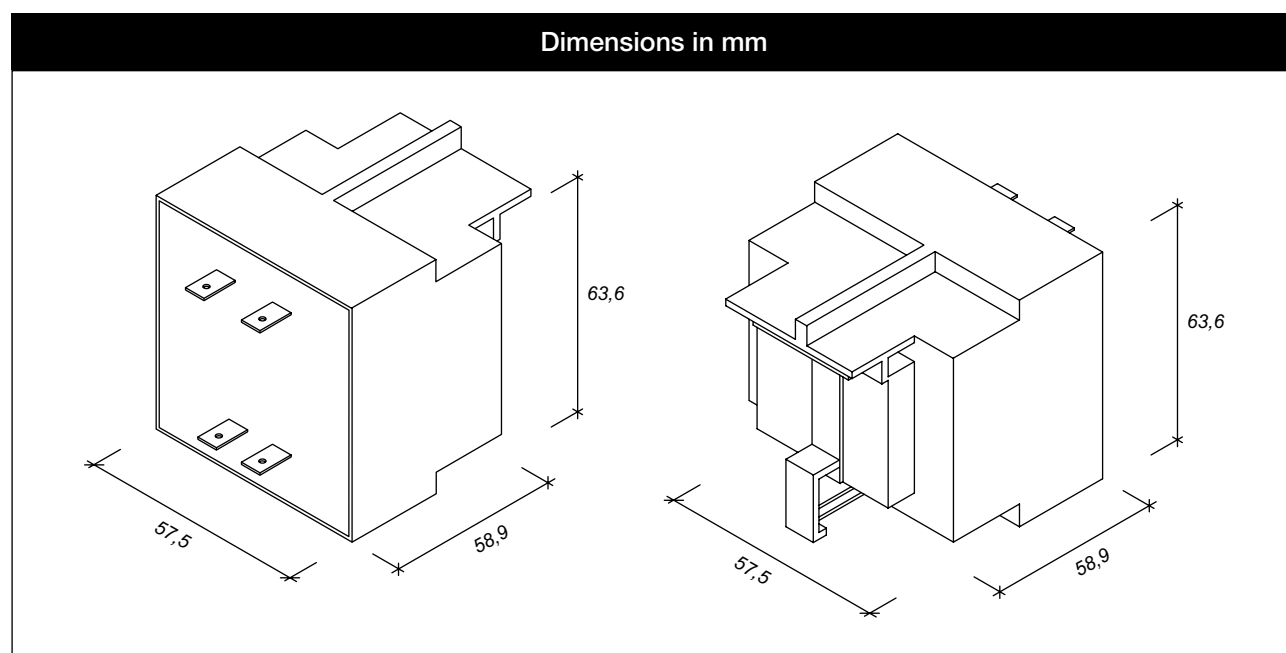


TYPE: **EI54/23-ZA LMF**  
NOMINAL POWER: **20 VA**

- According to EN 61558-2-6
- Two compartments bobbins
- Faston connectors
- For mounting rail (DIN 50022)
- Insulation class T 70/B
- Insulation voltage 4 kV
- Potted under vacuum
- 100 % tested production
- Weight 430 g



**Options:**

- 1.) Addition of a thermal fuse (non-resettable)
- 2.) Addition of a resettable thermal protection

Art. number	Primary voltage V	Secondary voltage V	Secondary current mA	No load voltage V	Secondary protection mA
332792	230	6	3333	7,6	3,15
332793	230	9	2222	11,1	2,5
332794	230	12	1666	14,5	1,6
332795	230	15	1333	17,8	1,25
332796	230	18	1111	21,2	1
332797	230	24	833	28,8	0,8
332798	230	2 x 6	2 x 1666	2 x 7,7	2 x 1,6
332799	230	2 x 9	2 x 1111	2 x 11,1	2 x 1
332800	230	2 x 12	2 x 833	2 x 14,5	2 x 0,8
332801	230	2 x 15	2 x 666	2 x 18,1	2 x 0,63
332802	230	2 x 18	2 x 555	2 x 21,3	2 x 0,5

Specifications subject to change without notice.