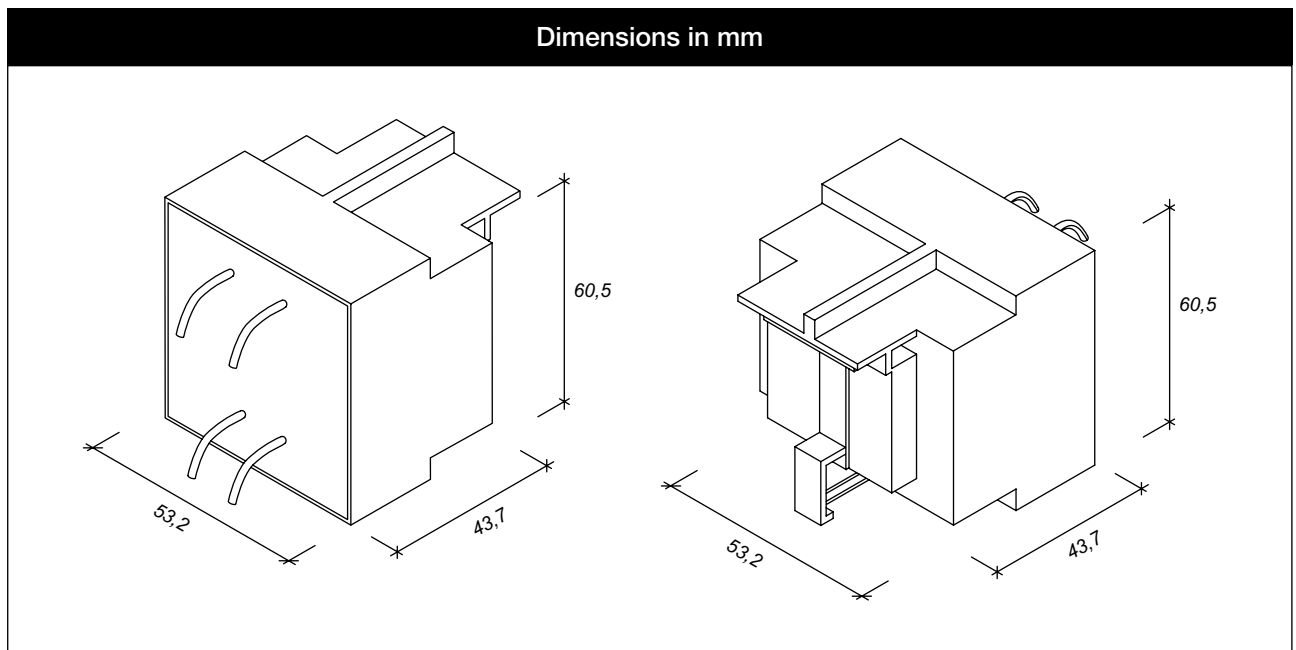


TYPE: **EI48/20,5-ZA LMV**

NOMINAL POWER: **12 VA**

- According to EN 61558-2-6
- Two compartments bobbins
- Connection by flexible cables
- For mounting rail (DIN 50022)
- Insulation class T 70/B
- Insulation voltage 4 kV
- Potted under vacuum
- 100 % tested production
- Weight 340 g



Options:

- 1.) Addition of a thermal fuse (non-resettable)
- 2.) Addition of a resettable thermal protection

Art. number	Primary voltage V	Secondary voltage V	Secondary current mA	No load voltage V	Secondary protection mA
332781	230	6	2000	7,5	2000
332782	230	9	1333	11,4	1250
332783	230	12	1000	15,2	1000
332784	230	15	800	18,9	800
332785	230	18	666	22,6	630
332786	230	24	500	30,2	500
332787	230	2 x 6	2 x 1000	2 x 7,6	2 x 1000
332788	230	2 x 9	2 x 666	2 x 11,3	2 x 630
332789	230	2 x 12	2 x 500	2 x 15,1	2 x 500
332790	230	2 x 15	2 x 400	2 x 19,0	2 x 400
332791	230	2 x 18	2 x 333	2 x 22,6	2 x 315

Specifications subject to change without notice.