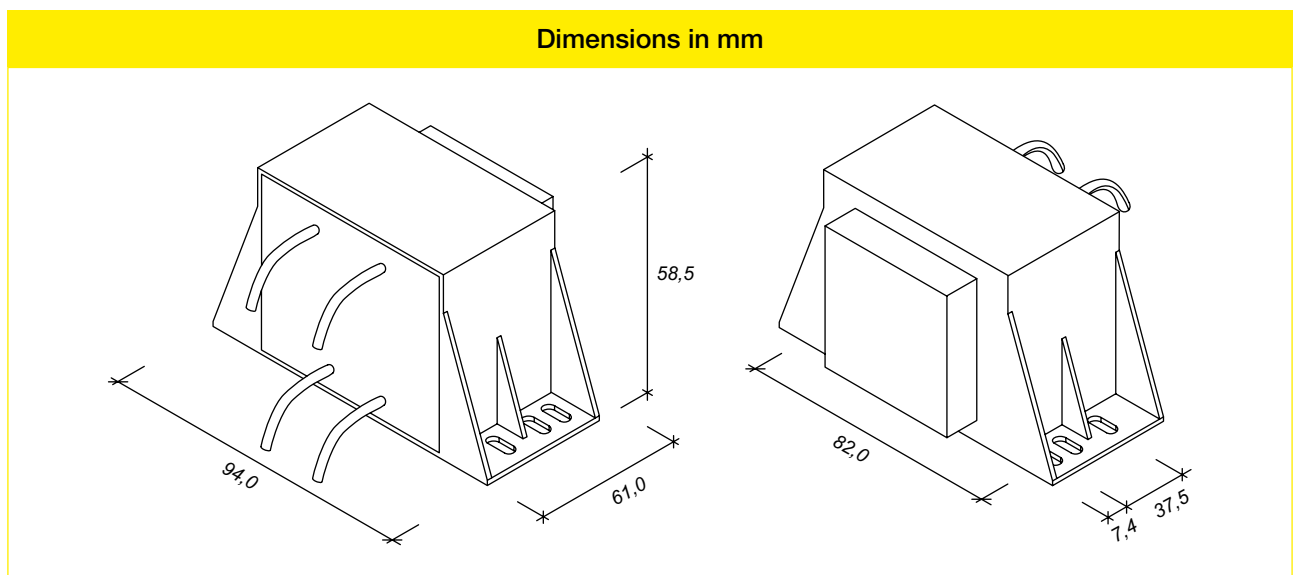


TYPE: **EI66/34,7-ZA SMV**

NOMINAL POWER: **47 VA**

- According to EN 61558-2-6
- Two compartments bobbins
- Connection by flexible cables
- Insulation class T 40/B
- Insulation voltage 4 kV
- Potted under vacuum
- 100 % tested production
- Weight 300 g



Options:

- 1.) Addition of a thermal fuse (non-resettable)
- 2.) Addition of a resettable thermal protection

Art. number	Primary voltage V	Secondary voltage V	Secondary current mA	No load voltage V	Primary protection mA
332751	230	6	7833	6,9	8
332752	230	9	5222	10,3	5
332753	230	12	3916	13,8	4
332754	230	15	3133	17,2	3,15
332755	230	18	2611	20,8	2,5
332756	230	24	1958	27,7	2
332757	230	2 x 6	2 x 3916	2 x 6,9	2 x 4
332758	230	2 x 9	2 x 2611	2 x 10,3	2 x 2,5
332759	230	2 x 12	2 x 1958	2 x 13,8	2 x 2
332760	230	2 x 15	2 x 1566	2 x 17,2	2 x 1,6
332761	230	2 x 18	2 x 1305	2 x 20,8	2 x 1,25

Other primary and secondary voltages.
Specifications subject to change without notice.