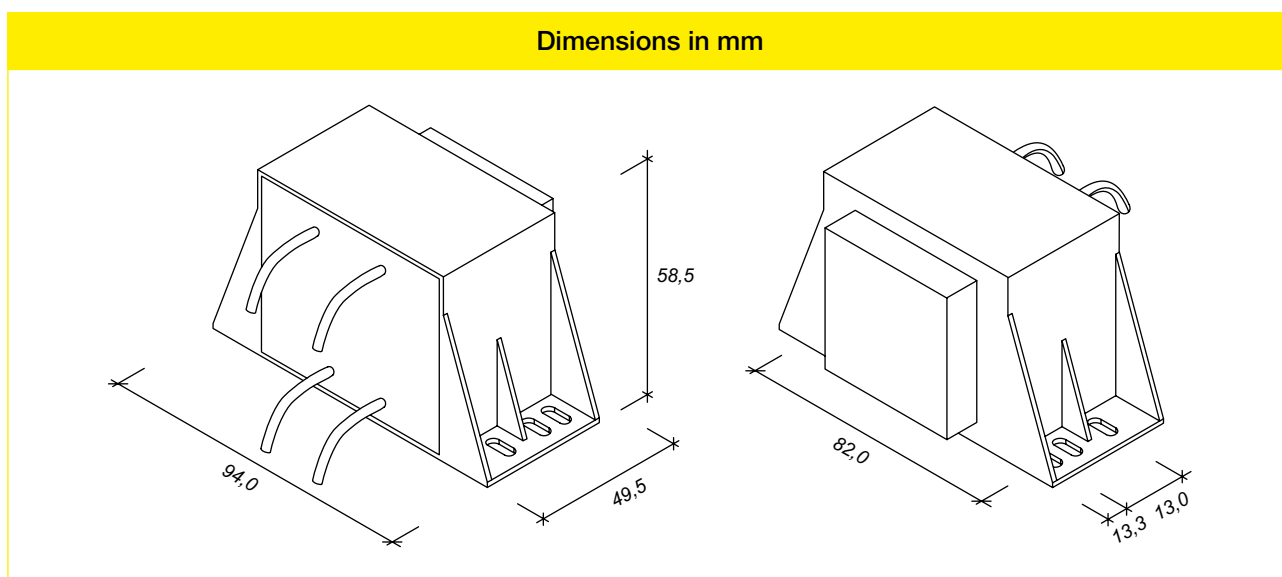


TYPE: **EI66/23-ZA SMV**
NOMINAL POWER: **30 VA**

- According to EN 61558-2-6
- Two compartments bobbins
- Connection by flexible cables
- Insulation class T 40/B
- Insulation voltage 4 kV
- Potted under vacuum
- 100 % tested production
- Weight 300 g



Options:

- 1.) Addition of a thermal fuse (non-resettable)
- 2.) Addition of a resettable thermal protection

| Art. number | Primary voltage V | Secondary voltage V | Secondary current mA | No load voltage V | Primary protection mA |
|-------------|-------------------|---------------------|----------------------|-------------------|-----------------------|
| 332730 | 230 | 6 | 5000 | 6,9 | 5 |
| 332731 | 230 | 9 | 3333 | 10,3 | 3,15 |
| 332732 | 230 | 12 | 2500 | 13,8 | 2,5 |
| 332733 | 230 | 15 | 2000 | 17,2 | 2 |
| 332734 | 230 | 18 | 1667 | 20,8 | 1,6 |
| 330596 | 230 | 24 | 1250 | 27,7 | 1,25 |
| 332735 | 230 | 2 x 6 | 2 x 2500 | 2 x 6,9 | 2 x 2,5 |
| 332736 | 230 | 2 x 9 | 2 x 1667 | 2 x 10,3 | 2 x 1,6 |
| 332737 | 230 | 2 x 12 | 2 x 1250 | 2 x 13,8 | 2 x 1,25 |
| 332738 | 230 | 2 x 15 | 2 x 1000 | 2 x 17,2 | 2 x 1 |
| 332739 | 230 | 2 x 18 | 2 x 833 | 2 x 20,8 | 2 x 0,8 |

Other primary and secondary voltages.
Specifications subject to change without notice..