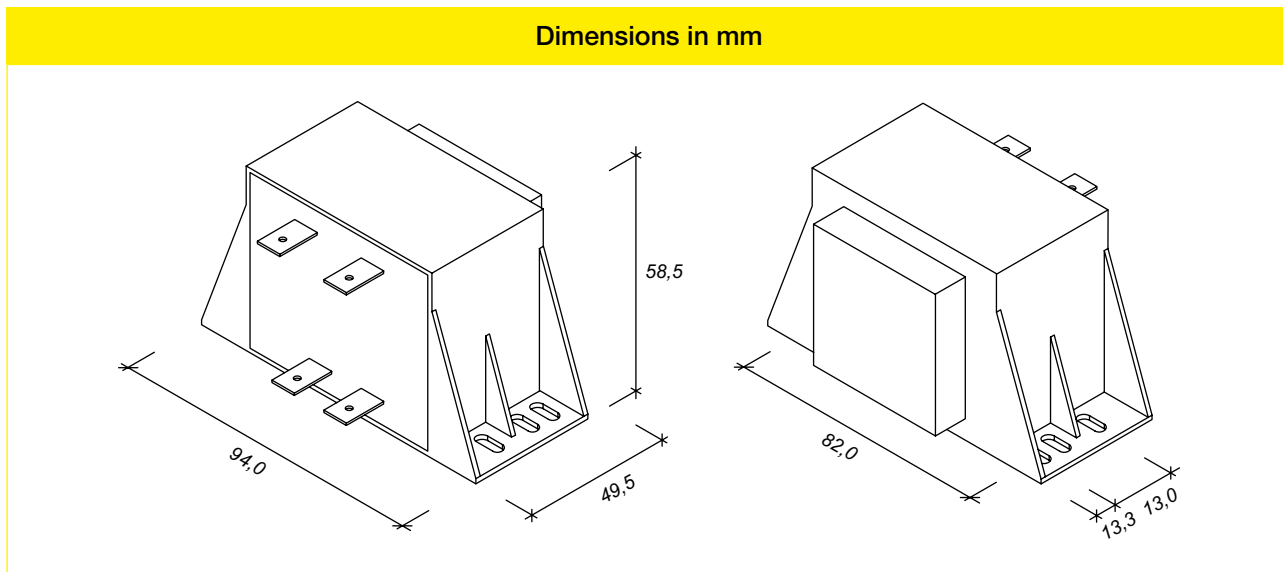


TYPE: **EI66/23-ZA SMF**

NOMINAL POWER: **30 VA**

- According to EN 61558-2-6
- Two compartments bobbins
- Faston connectors
- Insulation class T 40/B
- Insulation voltage 4 kV
- Potted under vacuum
- 100 % tested production
- Weight 300 g

Dimensions in mm



Options:

- 1.) Addition of a thermal fuse (non-resettable)
- 2.) Addition of a resettable thermal protection

Art. number	Primary voltage V	Secondary voltage V	Secondary current mA	No load voltage V	Primary protection mA
332721	230	6	5000	6,9	5
332722	230	9	3333	10,3	3,15
332723	230	12	2500	13,8	2,5
330968	230	15	2000	17,2	2
332724	230	18	1667	20,8	1,6
330335	230	24	1250	27,7	1,25
332725	230	2 x 6	2 x 2500	2 x 6,9	2 x 2,5
332726	230	2 x 9	2 x 1667	2 x 10,3	2 x 1,6
332727	230	2 x 12	2 x 1250	2 x 13,8	2 x 1,25
332728	230	2 x 15	2 x 1000	2 x 17,2	2 x 1
332729	230	2 x 18	2 x 833	2 x 20,8	2 x 0,8

Other primary and secondary voltages.
Specifications subject to change without notice.