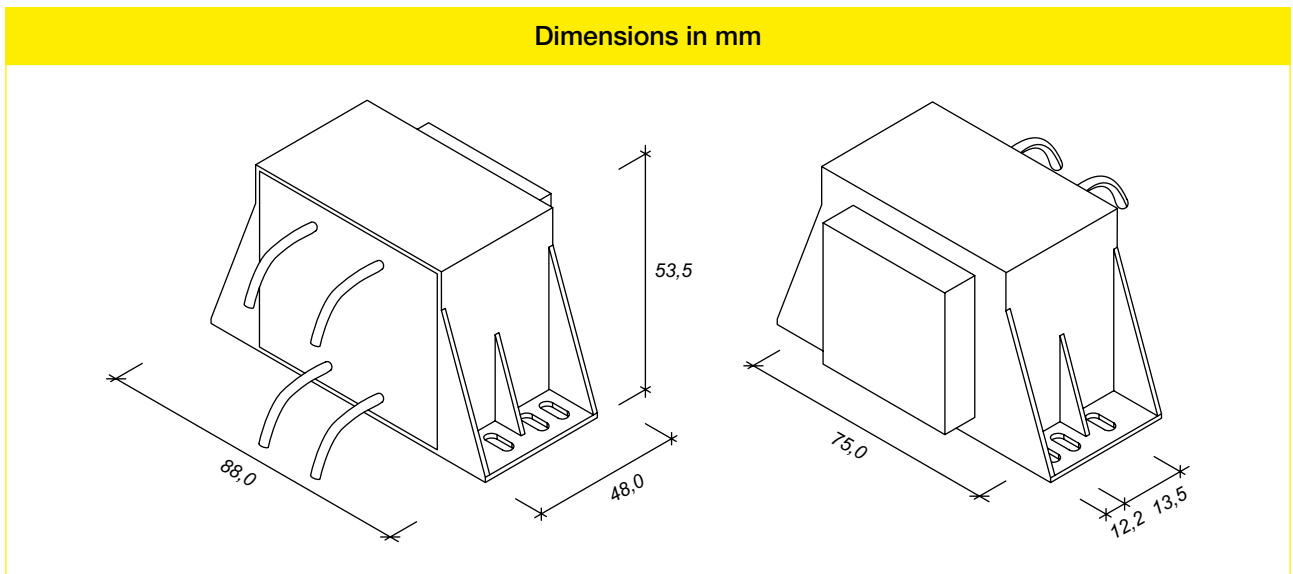


TYPE: **EI60/20,6-ZA SMV**

NOMINAL POWER: **22 VA**

- According to EN 61558-2-6
- Two compartments bobbins
- Connection by flexible cables
- Insulation class T 40/B
- Insulation voltage 4 kV
- Potted under vacuum
- 100 % tested production
- Weight 300 g



Options:

- 1.) Addition of a thermal fuse (non-resettable)
- 2.) Addition of a resettable thermal protection

Art. number	Primary voltage V	Secondary voltage V	Secondary current mA	No load voltage V	Primary protection mA
332710	230	6	3667	7,6	4
332711	230	9	2444	11,5	2,5
332712	230	12	1833	15,4	2
332713	230	15	1467	19,2	1,5
332714	230	18	1222	23,0	1,25
332715	230	24	917	30,7	1
332716	230	2 x 6	2 x 1833	2 x 7,6	2 x 2
332717	230	2 x 9	2 x 1222	2 x 11,5	2 x 1,25
332718	230	2 x 12	2 x 917	2 x 15,4	2 x 1
332719	230	2 x 15	2 x 733	2 x 19,2	2 x 0,8
332720	230	2 x 18	2 x 611	2 x 23,0	2 x 0,63

Other primary and secondary voltages.
Specifications subject to change without notice.