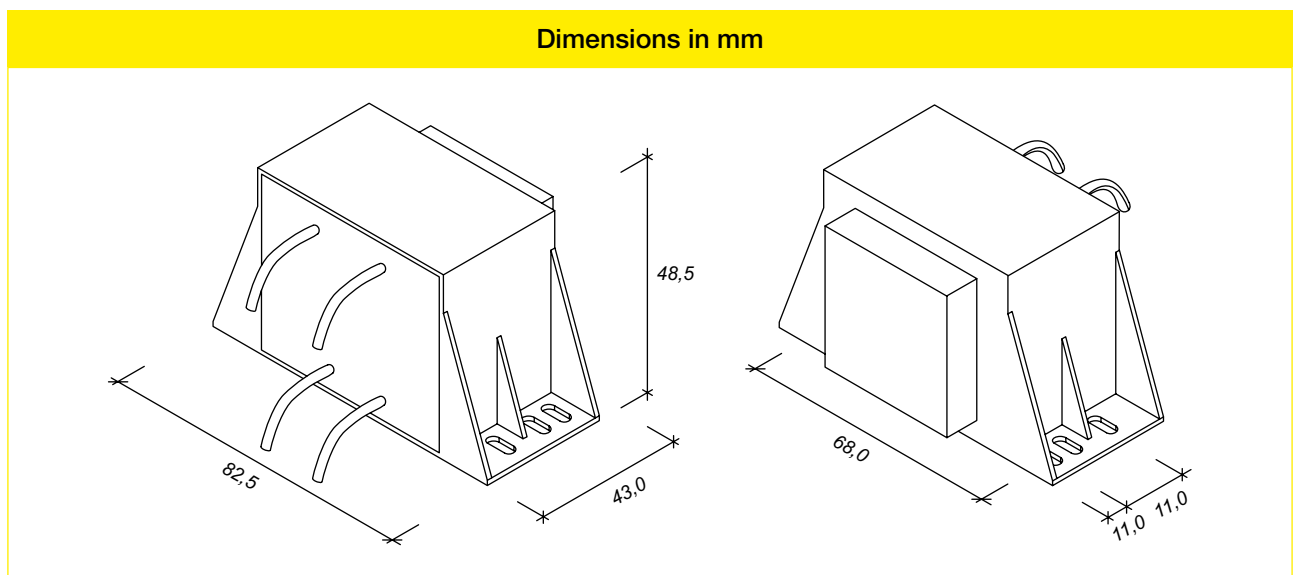


TYPE: **EI54/18,8-ZA SMV**

NOMINAL POWER: **16 VA**

- According to EN 61558-2-6
- Two compartments bobbins
- Connection by flexible cables
- Insulation class T 40/B
- Insulation voltage 4 kV
- Potted under vacuum
- 100 % tested production
- Weight 300 g



Options:

- 1.) Addition of a thermal fuse (non-resettable)
- 2.) Addition of a resettable thermal protection

Art. number	Primary voltage V	Secondary voltage V	Secondary current mA	No load voltage V	Primary protection mA
332690	230	6	2666	7,5	2,5
332691	230	9	1777	11,4	2,0
331346	230	12	1333	15,2	1,25
332692	230	15	1066	18,9	1
332693	230	18	888	22,6	1
332694	230	24	666	30,2	0,63
332695	230	2 x 6	2 x 1333	2 x 7,6	2 x 1,25
332696	230	2 x 9	2 x 888	2 x 11,3	2 x 1
332697	230	2 x 12	2 x 666	2 x 15,1	2 x 0,63
332698	230	2 x 15	2 x 533	2 x 19,0	2 x 0,5
332699	230	2 x 18	2 x 444	2 x 22,6	2 x 0,5

Other primary and secondary voltages.
Specifications subject to change without notice.