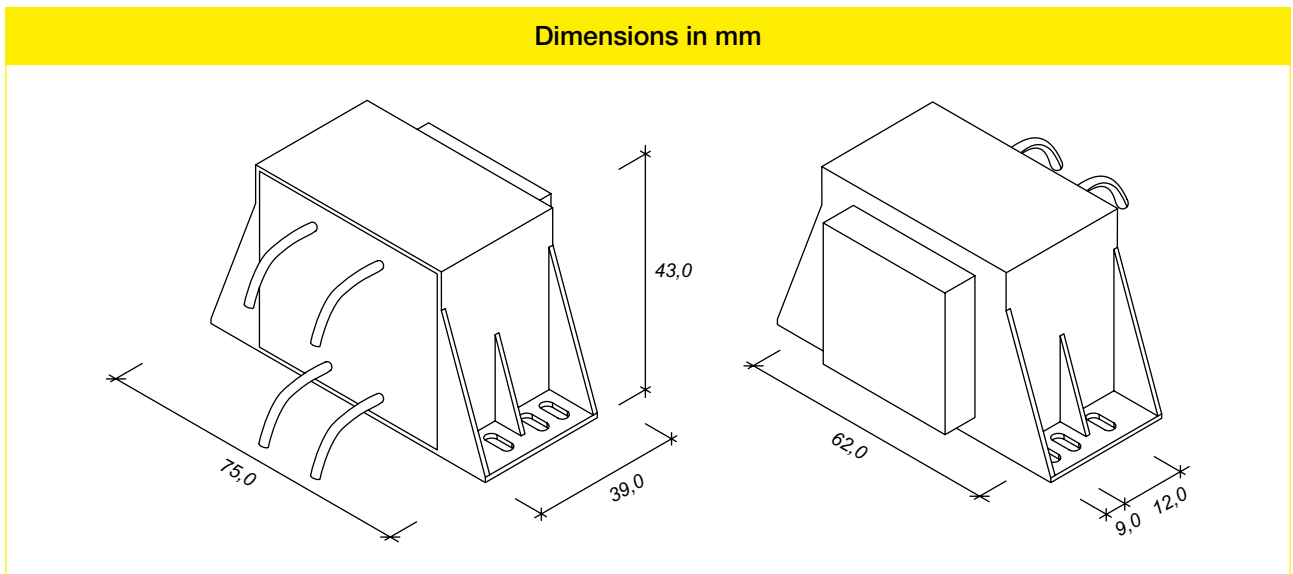


TYPE: **EI48/16,8-ZA SMV**

NOMINAL POWER: **10 VA**

- According to EN 61558-2-6
- Two compartments bobbins
- Connection by flexible cables
- Insulation class T 40/B
- Insulation voltage 4 kV
- Potted under vacuum
- 100 % tested production
- Weight 300 g

Dimensions in mm



Options:

- 1.) Addition of a thermal fuse (non-resettable)
- 2.) Addition of a resettable thermal protection

Art. number	Primary voltage V	Secondary voltage V	Secondary current mA	No load voltage V	Primary protection mA
330886	230	6	1666	7,5	63
330887	230	9	1111	11,4	63
330888	230	12	834	15,2	63
330889	230	15	666	18,9	63
330890	230	18	555	22,6	63
330595	230	24	416	30,2	63
330891	230	2 x 6	2 x 834	2 x 7,6	63
330892	230	2 x 9	2 x 555	2 x 11,3	63
330893	230	2 x 12	2 x 416	2 x 15,1	63
330894	230	2 x 15	2 x 333	2 x 19,0	63
330895	230	2 x 18	2 x 277	2 x 22,6	63

Other primary and secondary voltages.
Specifications subject to change without notice.