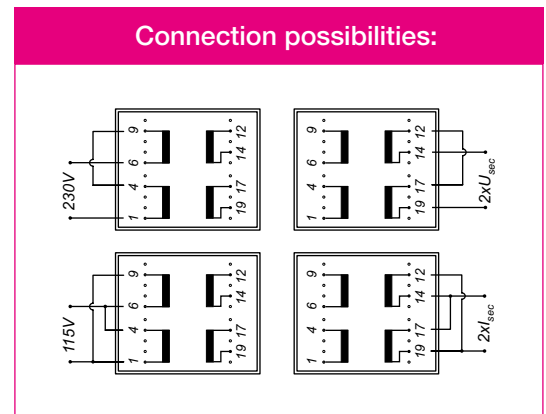
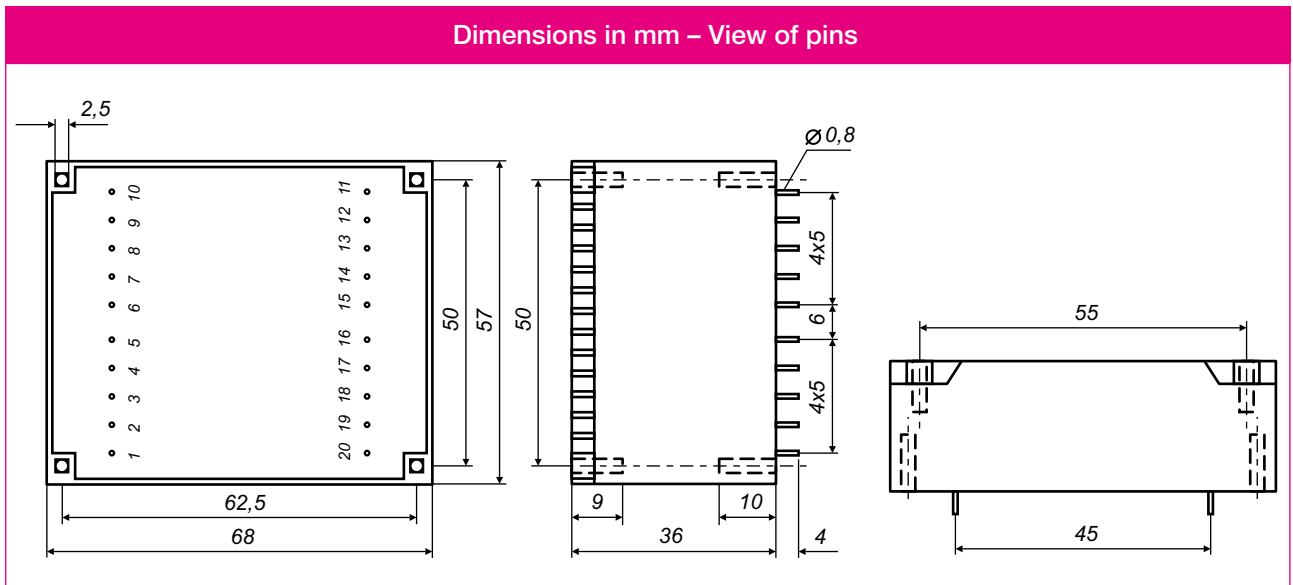


TYPE: **UI39/21-ZA**

NOMINAL POWER: **30 VA**

- According to EN 61558-2-6
- Two compartments bobbins
- Insulation class T 70/B
- Insulation voltage 4 kV
- Pooted under vacuum
- 100 % tested production
- Weight 530 g



Recommended drill – hole for pins 1,3 mm.
Recommended drill – hole for mountings 4 mm.
Fixing with sheet-metal screws (2,9 x L DIN 7971).

Art. number	Primary voltage V	Pins	Secondary voltage V	Secondary current mA	No load voltage V	Pins	Secondary protection mA
322140	2 x 115	1-4 / 9-6	2 x 6	2 x 2500	2 x 8,1	12-14 / 19-17	160 / 315
322146	2 x 115	1-4 / 9-6	2 x 7,5	2 x 2000	2 x 10,1	12-14 / 19-17	160 / 315
322141	2 x 115	1-4 / 9-6	2 x 9	2 x 1666	2 x 11,1	12-14 / 19-17	160 / 315
322142	2 x 115	1-4 / 9-6	2 x 12	2 x 1250	2 x 14,4	12-14 / 19-17	160 / 315
322143	2 x 115	1-4 / 9-6	2 x 15	2 x 1000	2 x 19,2	12-14 / 19-17	160 / 315
322144	2 x 115	1-4 / 9-6	2 x 18	2 x 833	2 x 22,1	12-14 / 19-17	160 / 315
322145*	2 x 115	1-4 / 9-6	2 x 21	2 x 714	2 x 24,7	12-14 / 19-17	160 / 315

Other voltages, currents, pin configurations and temperature classes on request.
 Specifications subject to change without notice.
 * Note: product not according to EN 61558-2-6.