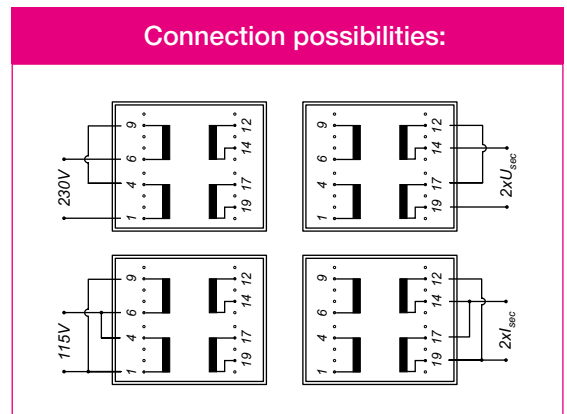
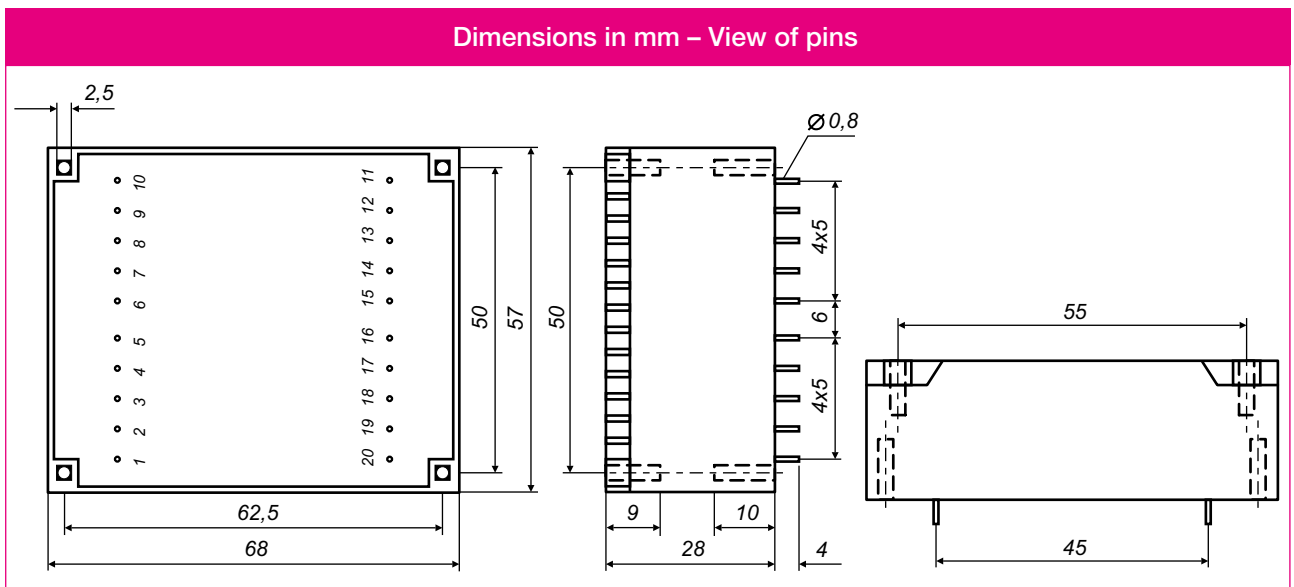


TYPE: **UI39/13,5-ZA**

NOMINAL POWER: **18 VA**

- According to EN 61558-2-6
- Two compartments bobbins
- Insulation class T 70/B
- Insulation voltage 4 kV
- Potted under vacuum
- 100 % tested production
- Weight 375 g



Recommended drill – hole for pins 1,3 mm.
Recommended drill – hole for mountings 4 mm.
Fixing with sheet-metal screws (2,9 x L DIN 7971).

Art. number	Primary voltage V	Pins	Secondary voltage V	Secondary current mA	No load voltage V	Pins	Secondary protection mA
322120	2 x 115	1-4 / 9-6	2 x 6	2 x 1500	2 x 8,4	12-14 / 19-17	100 / 200
322126	2 x 115	1-4 / 9-6	2 x 7,5	2 x 1200	2 x 10,5	12-14 / 19-17	100 / 200
322121	2 x 115	1-4 / 9-6	2 x 9	2 x 1000	2 x 11,6	12-14 / 19-17	100 / 200
322122	2 x 115	1-4 / 9-6	2 x 12	2 x 750	2 x 15,3	12-14 / 19-17	100 / 200
322123	2 x 115	1-4 / 9-6	2 x 15	2 x 600	2 x 19,4	12-14 / 19-17	100 / 200
322124	2 x 115	1-4 / 9-6	2 x 18	2 x 500	2 x 22,5	12-14 / 19-17	100 / 200
322125*	2 x 115	1-4 / 9-6	2 x 21	2 x 428	2 x 24,6	12-14 / 19-17	100 / 200

Other voltages, currents, pin configurations and temperature classes on request.
 Specifications subject to change without notice.
 * Note: product not according to EN 61558-2-6.