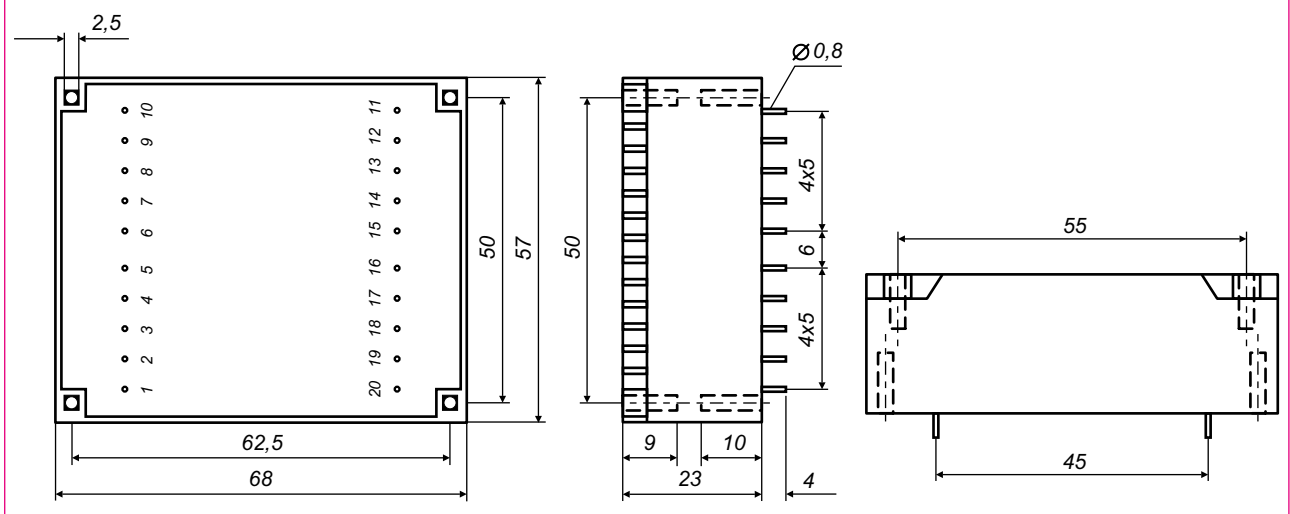


TYPE: **UI39/8-ZA**

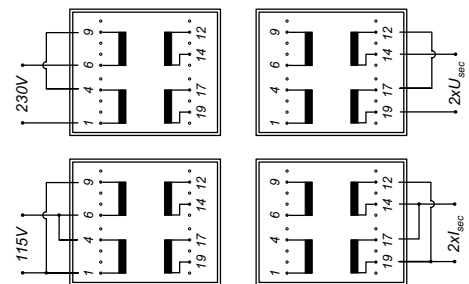
NOMINAL POWER: **10 VA**

- According to EN 61558-2-6
- Two compartments bobbins
- Insulation class T 70/B
- Insulation voltage 4 kV
- Potted under vacuum
- 100 % tested production
- Weight 280 g

Dimensions in mm – View of pins



Connection possibilities:



**Recommended drill – hole for pins 1,3 mm.**  
**Recommended drill – hole for mountings 4 mm.**  
**Fixing with sheet-metal screws (2,9 x L DIN 7971).**

Art. number	Primary voltage V	Pins	Secondary voltage V	Secondary current mA	No load voltage V	Pins	Secondary protection mA
322100	2 x 115	1-4 / 9-6	2 x 6	2 x 833	2 x 8,5	12-14 / 19-17	63 / 125
322106	2 x 115	1-4 / 9-6	2 x 7,5	2 x 666	2 x 10,6	12-14 / 19-17	63 / 125
322101	2 x 115	1-4 / 9-6	2 x 9	2 x 555	2 x 12,4	12-14 / 19-17	63 / 125
322102	2 x 115	1-4 / 9-6	2 x 12	2 x 416	2 x 15,9	12-14 / 19-17	63 / 125
322103	2 x 115	1-4 / 9-6	2 x 15	2 x 333	2 x 20,3	12-14 / 19-17	63 / 125
322104	2 x 115	1-4 / 9-6	2 x 18	2 x 277	2 x 24,3	12-14 / 19-17	63 / 125
322105*	2 x 115	1-4 / 9-6	2 x 21	2 x 238	2 x 28,1	12-14 / 19-17	63 / 125

Other voltages, currents, pin configurations and temperature classes on request.

Specifications subject to change without notice.

\* Note: product not according to EN 61558-2-6.