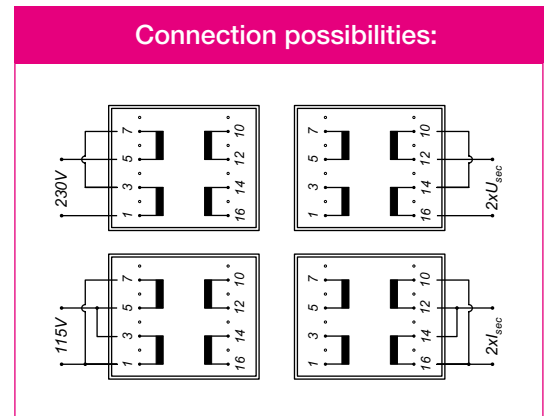
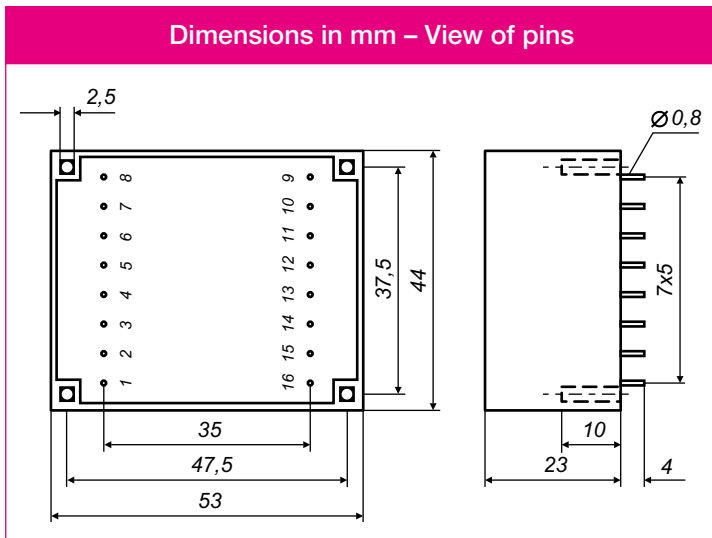


TYPE: **UI30/10,5-ZA**

NOMINAL POWER: **6 VA**

- According to EN 61558-2-6
- Two compartments bobbins
- Insulation class T 70/B
- Insulation voltage 4 kV
- Potted under vacuum
- 100 % tested production
- Weight 175 g



Recommended drill – hole for pins 1,3 mm.
Recommended drill – hole for mountings 4 mm.
Fixing with sheet-metal screws (2,9 x L DIN 7971).

Art. number	Primary voltage V	Pins	Secondary voltage V	Secondary current mA	No load voltage V	Pins	Secondary protection mA
322020	2 x 115	1-3 / 7-5	2 x 6	2 x 500	2 x 8,5	10-12 / 16-14	2 x 500
322026	2 x 115	1-3 / 7-5	2 x 7,5	2 x 400	2 x 10,4	10-12 / 16-14	2 x 400
322021	2 x 115	1-3 / 7-5	2 x 9	2 x 333	2 x 12,7	10-12 / 16-14	2 x 315
322022	2 x 115	1-3 / 7-5	2 x 12	2 x 250	2 x 16,3	10-12 / 16-14	2 x 250
322023	2 x 115	1-3 / 7-5	2 x 15	2 x 200	2 x 20,3	10-12 / 16-14	2 x 200
322024	2 x 115	1-3 / 7-5	2 x 18	2 x 166	2 x 24,3	10-12 / 16-14	2 x 160
322025*	2 x 115	1-3 / 7-5	2 x 21	2 x 142	2 x 28,3	10-12 / 16-14	2 x 125

Other voltages, currents, pin configurations and temperature classes on request.
 Specifications subject to change without notice.

* Note: product not according to EN 61558-2-6..