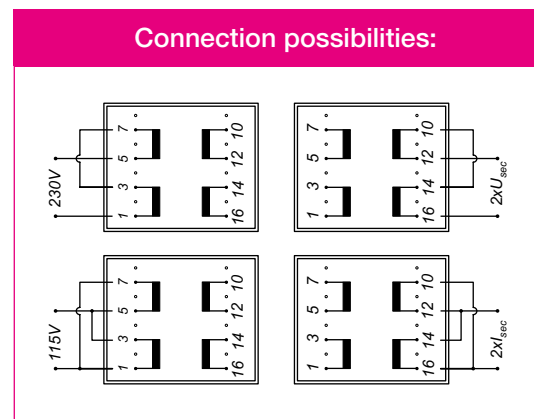
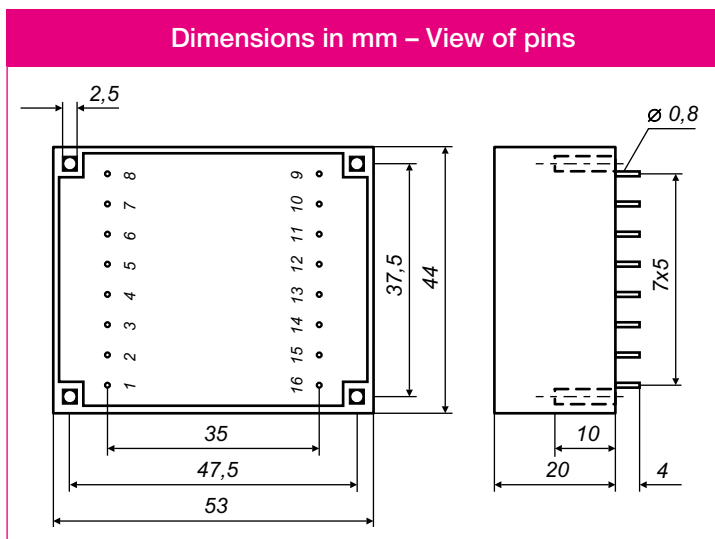


TYPE: **UI30/7,5-ZA**

NOMINAL POWER: **4 VA**

- According to EN 61558-2-6
- Two compartments bobbins
- Insulation class T 70/B
- Insulation voltage 4 kV
- Potted under vacuum
- 100 % Tested production
- Weight 145 g



Recommended drill – hole for pins 1,3 mm.
Recommended drill – hole for mountings 4 mm.
Fixing with sheet-metal screws (2,9 x L DIN 7971).

Art. number	Primary voltage V	Pins	Secondary voltage V	Secondary current mA	No load voltage V	Pins	Secondary protection mA
322010	2 x 115	1-3 / 7-5	2 x 6	2 x 333	2 x 8,2	10-12 / 16-14	2 x 315
322016	2 x 115	1-3 / 7-5	2 x 7,5	2 x 266	2 x 10,2	10-12 / 16-14	2 x 315
322011	2 x 115	1-3 / 7-5	2 x 9	2 x 222	2 x 12,2	10-12 / 16-14	2 x 250
322012	2 x 115	1-3 / 7-5	2 x 12	2 x 166	2 x 16,3	10-12 / 16-14	2 x 160
322013	2 x 115	1-3 / 7-5	2 x 15	2 x 133	2 x 20,4	10-12 / 16-14	2 x 125
322014*	2 x 115	1-3 / 7-5	2 x 18	2 x 111	2 x 24,5	10-12 / 16-14	2 x 125
322015*	2 x 115	1-3 / 7-5	2 x 21	2 x 95	2 x 28,6	10-12 / 16-14	2 x 80

Other voltages, currents, pin configurations and temperature classes on request.
 Specifications subject to change without notice.

* Note: product not according to EN 61558-2-6.