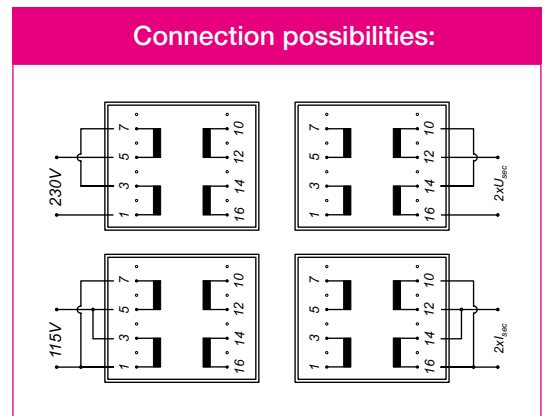
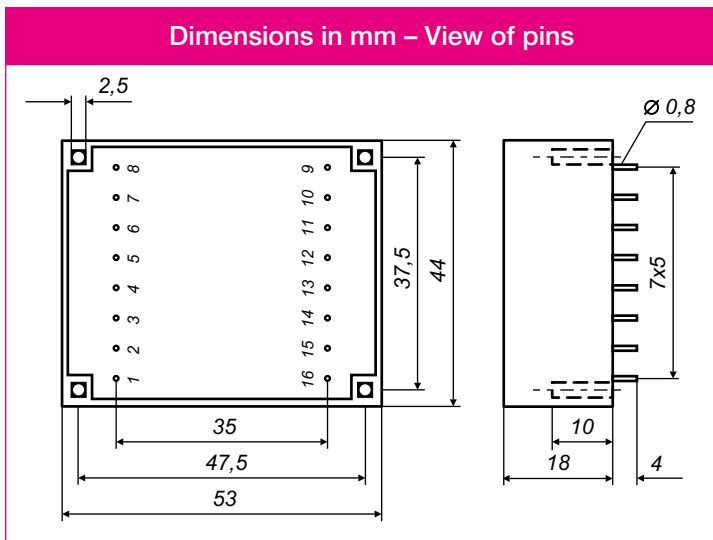


TYPE: **UI30/5,5-ZA**

NOMINAL POWER: **3 VA**

- According to EN 61558-2-6
- Two compartments bobbins
- Insulation class T 70/B
- Insulation voltage 4 kV
- Potted under vacuum
- 100 % tested production
- Weight 125 g



Recommended drill – hole for pins 1,3 mm.
Recommended drill – hole for mountings 4 mm.
Fixing with sheet-metal screws (2,9 x L DIN 7971).

| Art. number | Primary voltage V | Pins | Secondary voltage V | Secondary current mA | No load voltage V | Pins | Secondary protection mA |
|-------------|-------------------|-----------|---------------------|----------------------|-------------------|---------------|-------------------------|
| 322040 | 2 x 115 | 1-3 / 7-5 | 2 x 6 | 2 x 250 | 2 x 8,2 | 10-12 / 16-14 | 2 x 250 |
| 322042 | 2 x 115 | 1-3 / 7-5 | 2 x 7,5 | 2 x 200 | 2 x 10,2 | 10-12 / 16-14 | 2 x 200 |
| 322041 | 2 x 115 | 1-3 / 7-5 | 2 x 9 | 2 x 266 | 2 x 12,2 | 10-12 / 16-14 | 2 x 250 |
| 322043 | 2 x 115 | 1-3 / 7-5 | 2 x 12 | 2 x 125 | 2 x 16,3 | 10-12 / 16-14 | 2 x 125 |
| 322044 | 2 x 115 | 1-3 / 7-5 | 2 x 15 | 2 x 100 | 2 x 20,4 | 10-12 / 16-14 | 2 x 100 |
| 322045* | 2 x 115 | 1-3 / 7-5 | 2 x 18 | 2 x 83 | 2 x 24,5 | 10-12 / 16-14 | 2 x 80 |
| 322046* | 2 x 115 | 1-3 / 7-5 | 2 x 21 | 2 x 71 | 2 x 28,6 | 10-12 / 16-14 | 2 x 80 |

Other voltages, currents, pin configurations and temperature classes on request.
 Specifications subject to change without notice.
 * Note: product not according to EN 61558-2-6.