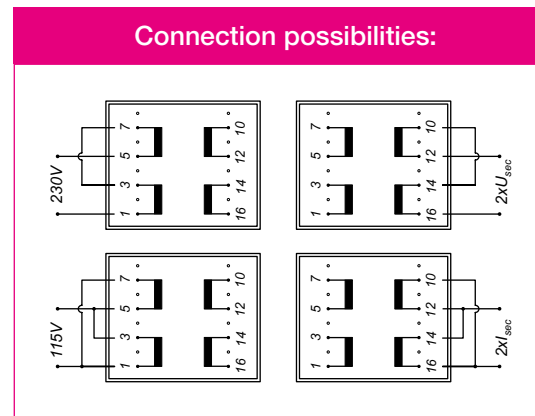
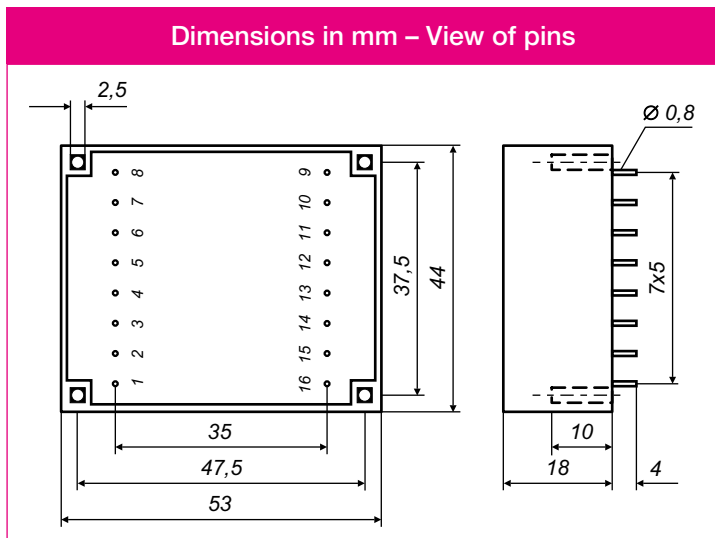


TYPE: UI30/5,5-ZA

NOMINAL POWER: 2 VA

- According to EN 61558-2-6
- Two compartments bobbins
- Short-circuit proof
- Insulation class T 70/B
- Insulation voltage 4 kV
- Potted under vacuum
- 100 % tested production
- Weight 115 g



Recommended drill – hole for pins 1,3 mm.
Recommended drill – hole for mountings 4 mm.
Fixing with sheet-metal screws (2,9 x L DIN 7971).

Art. number	Primary voltage V	Pins	Secondary voltage V	Secondary current mA	No load voltage V	Pins
322000	2 x 115	1-3 / 7-5	2 x 6	2 x 166	2 x 9,1	10-12 / 16-14
322006	2 x 115	1-3 / 7-5	2 x 7,5	2 x 133	2 x 11,4	10-12 / 16-14
322001	2 x 115	1-3 / 7-5	2 x 9	2 x 111	2 x 13,6	10-12 / 16-14
322002	2 x 115	1-3 / 7-5	2 x 12	2 x 83	2 x 17,6	10-12 / 16-14
322003	2 x 115	1-3 / 7-5	2 x 15	2 x 66	2 x 23,0	10-12 / 16-14
322004*	2 x 115	1-3 / 7-5	2 x 18	2 x 55	2 x 24,8	10-12 / 16-14
322005*	2 x 115	1-3 / 7-5	2 x 21	2 x 47	2 x 30,5	10-12 / 16-14

Other voltages, currents, pin configurations and temperature classes on request.
 Specifications subject to change without notice.
 * Note: product not according to EN 61558-2-6.