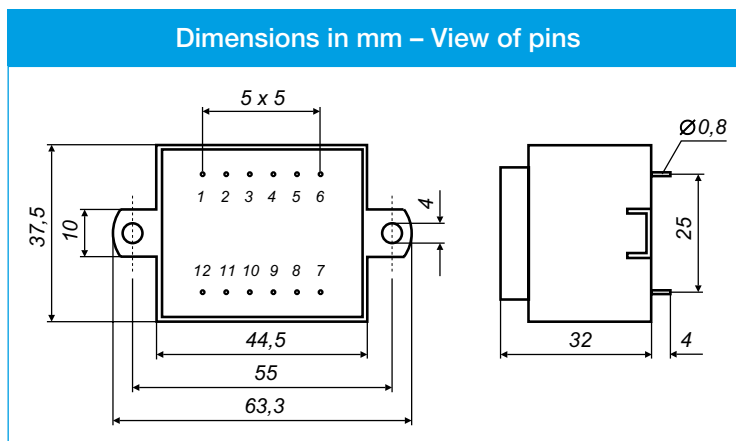


TYPE: **EI42/14,8-ZA**

NOMINAL POWER: **5,0 VA**

- According to EN 61558-2-6
- Two compartments bobbins
- Insulation class T 70/B
- Insulation voltage 4 kV
- Potted under vacuum
- 100 % tested production
- Weight 200 g



**Recommended drill – hole for pins 1,3 mm.**

Art. number	Primary voltage V	Pins	Secondary voltage V	Secondary current mA	No load voltage V	Pins	Empty pins	Secondary protection mA
332150	230	1-6	6	834	7,8	8-11	7,12	800
332151	230	1-6	7,5	666	9,9	8-11	7,12	630
332152	230	1-6	9	556	11,9	8-11	7,12	630
332153	230	1-6	12	417	15,8	8-11	7,12	400
332154	230	1-6	15	334	19,8	8-11	7,12	315
332155	230	1-6	18	278	24,1	8-11	7,12	315
332156	230	1-6	24	208	31,2	8-11	7,12	200
332157	230	1-6	2 x 6	2 x 417	2 x 7,8	7-8 / 11-12		2 x 400
332158	230	1-6	2 x 7,5	2 x 333	2 x 9,9	7-8 / 11-12		2 x 400
332159	230	1-6	2 x 9	2 x 278	2 x 11,9	7-8 / 11-12		2 x 315
332160	230	1-6	2 x 12	2 x 208	2 x 15,8	7-8 / 11-12		2 x 200
332161	230	1-6	2 x 15	2 x 167	2 x 19,8	7-8 / 11-12		2 x 160
332162	230	1-6	2 x 18	2 x 139	2 x 24,1	7-8 / 11-12		2 x 160
332163	230	1-6	2 x 24	2 x 104	2 x 31,2	7-8 / 11-12		2 x 100
332170	115	1-6	6	834	7,8	8-11	7,12	800
332171	115	1-6	7,5	666	9,9	8-11	7,12	630
332172	115	1-6	9	556	11,9	8-11	7,12	630
332173	115	1-6	12	417	15,8	8-11	7,12	400
332174	115	1-6	15	334	19,8	8-11	7,12	315
332178	115	1-6	18	278	24,1	8-11	7,12	315
332179	115	1-6	24	208	31,2	8-11	7,12	200
332180	115	1-6	2 x 6	2 x 417	2 x 7,8	7-8 / 11-12		2 x 400
332181	115	1-6	2 x 7,5	2 x 333	2 x 9,9	7-8 / 11-12		2 x 400
332182	115	1-6	2 x 9	2 x 278	2 x 11,9	7-8 / 11-12		2 x 315
332183	115	1-6	2 x 12	2 x 208	2 x 15,8	7-8 / 11-12		2 x 200
332184	115	1-6	2 x 15	2 x 167	2 x 19,8	7-8 / 11-12		2 x 160
332185	115	1-6	2 x 18	2 x 139	2 x 24,1	7-8 / 11-12		2 x 160
332186	115	1-6	2 x 24	2 x 104	2 x 31,2	7-8 / 11-12		2 x 100

Other voltages, currents, pin configurations and temperature classes on request.  
Specifications subject to change without notice.

\* Note: Product not according to EN 61558-2-6.