

Always. Reliable. Tight.



HSI 150 Varia

The first cable entry that adapts to the thickness of your walls

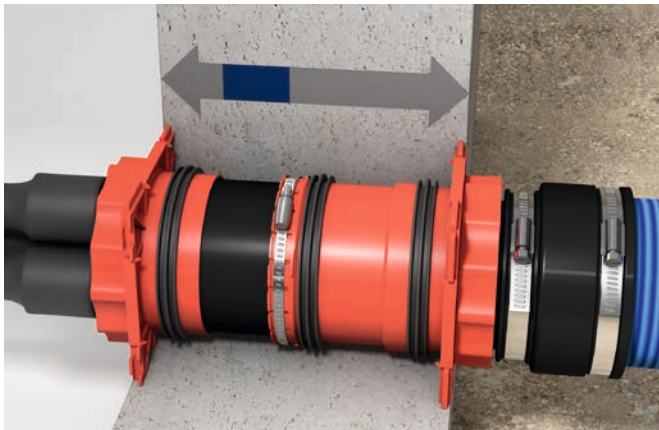
Cable entry with adjustable length setting

HSI 150 Varia



Advantages:

- infinitely adjustable to the required wall thickness on-site
- quality seal: tight ex factory - gives possibility for control of accidentally or unauthorized opening of the blind cover
- pressure tight towards concrete thanks to three 3-ribbed seals



e.g.: HSI-K2-Varia/260-365 with possibility for connection on both sides for system sealing (HSI 150-D-3/38) and duct (spiral hose 14150 with KES-M 150-D).



e.g.: HSI 150-GSM-Varia with single side connection as well as integrated rubber plug in for connection of smooth ducts.

Always the right wall insert!

The HSI 150 Varia cable entry is as flexible as can be. Its length can be adjusted on-site to suit the required wall thickness. Should anything change during the build phase, the necessary adaptations can be made quickly without holding up the schedule. The HSI 150 Varia is the ideal solution for applications in which lead time and variability are key considerations.

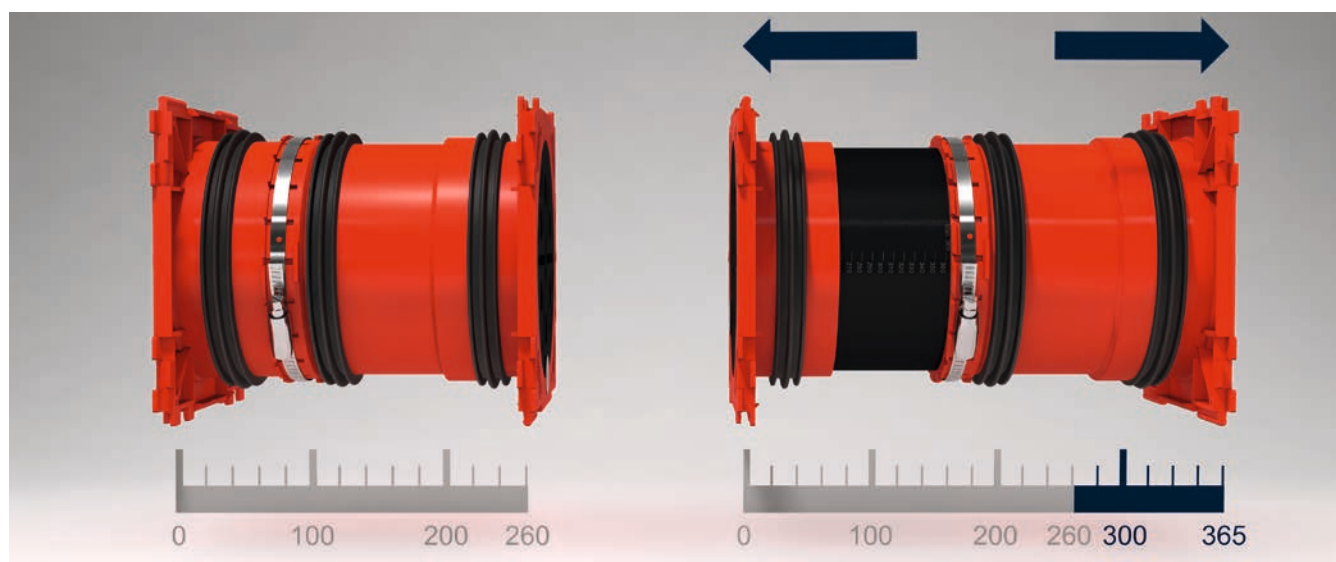
Cable entry with adjustable length setting

HSI 150 Varia

Article code:	Suitable for wall thickness
HSI 150 - K2-Varia/200-260	200 – 260 mm
HSI 150 - K2-Varia/260-365	260 – 365 mm
HSI 150 - K2-Varia/365-470	365 – 470 mm
HSI 150 - K2-Varia/470-575	470 – 575 mm

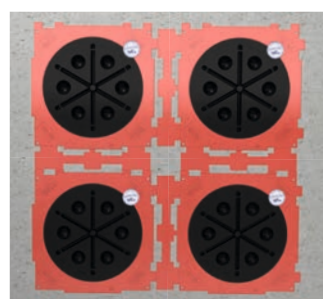
Article code:	Suitable for wall thickness
HSI 150 - GSM110-Varia/200-260	200 – 260 mm
HSI 150 - GSM110-Varia/260-365	260 – 365 mm
HSI 150 - GSM110-Varia/365-470	365 – 470 mm
HSI 150 - GSM110-Varia/470-575	470 – 575 mm
HSI 150 - GSM125-Varia/200-260	200 – 260 mm
HSI 150 - GSM125-Varia/260-365	260 – 365 mm
HSI 150 - GSM125-Varia/365-470	365 – 470 mm
HSI 150 - GSM125-Varia/470-575	470 – 575 mm
HSI 150 - GSM160-Varia/260-320	260 – 320 mm
HSI 150 - GSM160-Varia/320-425	320 – 425 mm
HSI 150 - GSM160-Varia/425-530	425 – 530 mm
HSI 150 - GSM160-Varia/530-635	530 – 635 mm

Delivery inclusive pressure tight blind covers installed in the factory with quality seal and predetermined torque control key.

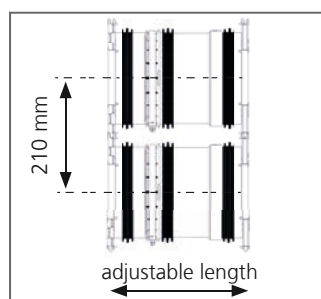


e.g.: HSI 150-K2-Varia/260-365:
minimum installation length for walls 260 mm thick

e.g.: HSI 150-K2-Varia/260-365:
maximum installation length for walls 365 mm thick
the required length is set using the scale



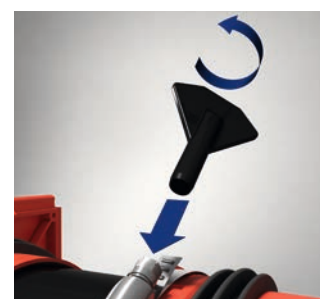
Building of packages possible with the recommended distance holder HSI-AH-40 (for HSI 150-GSM 160 this is mandatory).



Axial distance 210 mm -
with distance holder 250 mm.



Thanks to an additional 3-ribbed seal, the HSI 150-K2-Varia is also suitable for double walls/element walls.



Hex key with integrated torque limitation.

TIGHT.CABLE.PIPE.BUILDINGENTRY.ALWAYS.RELIABLE.ALWAYS.TIGHT.CABLE.PIPE.BUILDING
DINGENTRY.ALWAYS.RELIABLE.ALWAYS.TIGHT.CABLE.PIPE.BUILDINGENTRY.ALWAYS.RELIA
ABLE.ALWAYS.TIGHT.CABLE.PIPE.BUILDINGENTRY.ALWAYS.RELIABLE.ALWAYS.TIGHT.CABLE
BUILDINGENTRY.ALWAYS.RELIABLE.ALWAYS.TIGHT.CABLE.PIPE.BUILDINGENTRY.ALWAYS.F
ABLE.PIPE BUILDINGENTRY ALWAYS.RELIABLE.ALWAYS.TIGHT.CABLE.PIPE.BUILDINGENTRY
TRY.ALWAYS.RELIABLE.ALWAYS.TIGHT.CABLE.PIPE.BUILDINGENTRY.ALWAYS.RELIABLE.ALV
LWAYS.TIGHT.CABLE.PIPE.BUILDINGENTRY.ALWAYS.RELIABLE.ALWAYS.TIGHT.CABLE.PIPE.B
BUILDINGENTRY ALWAYS.RELIABLE ALWAYS.TIGHT.CABLE.PIPE.BUILDINGENTRY.ALWAYS.F
AYS.RELIABLE.ALWAYS.TIGHT.CABLE.PIPE.BUILDINGENTRY.ALWAYS.RELIABLE.ALWAYS.TIG
LE ALWAYS.TIGHT CABLE.PIPE.BUILDINGENTRY. ALWAYS. ALWAYS. ALWAYS. TIGHT.CABLE.P
LE.PIPE.BUILDINGENTRY.ALWAYS.RELIABLE.ALWAYS.TIGHT.CABLE.PIPE.BUILDINGENTRY.AL
ALWAYS.RELIABLE.ALWAYS.TIGHT.CABLE.PIPE.BUILDINGENTRY.ALWAYS.RELIABLE.ALWAYS
S.TIGHT.CABLE.PIPE.BUILDINGENTRY.ALWAYS.RELIABLE.ALWAYS.TIGHT.CABLE.PIPE.BUILD
DINGENTRY.ALWAYS.RELIABLE.ALWAYS.TIGHT.CABLE.PIPE.BUILDINGENTRY.ALWAYS.FIA
CABLE.PIPE.BUILDINGENTRY.ALWAYS.RELIABLE.ALWAYS.TIGHT.CABLE.PIPE.BUILDING
NTRY.ALWAYS.RELIABLE.ALWAYS.TIGHT.CABLE.PIPE.BUILDINGENTRY.ALWAYS.FIABLE.A

ALWAYS HAUFF